

**ELKA housing MS made of aluminium**

**Customized configuration**



Housing MS 1200



Housing MS 1800



Housing MS 2400

**ELKA**

## Notes for the configuration

With the help of this configuration sheet, we would like to make the configuration of our housings as easy as possible. The configuration for MS housings is carried out as follows:



### Installation service

In the first step you have the possibility to use our installation service. In addition to the wide range of ELKA installation items, we would be pleased to install your provided items into the housing during production. Alternatively we can make cut-outs, so that you can easily and quickly install your equipment on site.



### 3 heights: 1,200mm, 1,800mm or 2,400mm

The housing MS 1200 can be subsequently extended by 600mm or 1,200mm using a housing extension. Intermediate sizes upon request.



### LED lighting

With the LED lighting, you can choose between the colors warm white, red, green, blue and cool white. The connection is made by connecting the respective strands of the LED strip to the power supply unit.



### Custom colours

All components of the housing can be individually painted in all RAL colors. The color is applied as a wet paint.



### Top and bottom part

In the following configuration, you can assemble an MS 1200, 1800 or 2400 housing.

**Note:**

Two housings MS 1200 can also be retrofitted on site to create a housing MS 2400. A 600mm enclosure extension allows a housing MS 1200 to be subsequently increased to a housing MS 1800.



### On-site installation

From a height greater than 1,200mm, the upper and lower sections of an MS housing are packaged separately. This enables the transportation of up to 6 housings MS 1200 or 3 housings MS 2400 on a Euro pallet. The top part can be mounted on the bottom part on site.

## MS 1200 installation service, optional

Please indicate the amount and the position per item:

	Item no.	Type	Amount	Spacing from left / spacing from the top edge
	608 000 002	<b>Key switch STUP, flush mounting</b> with cylinder and 3 keys		
	608 000 006	<b>Key switch, STAZ, OPEN-CLOSE, flush mounting</b> with cylinder and 3 keys		
	608 000 015	<b>Key switch, STR, one-side lockable, flush mounting</b> e.g. for CONSTANT OPEN, with cylinder and 3 keys		
	608 000 012	<b>Key switch, STTR, impulse and lockable, flush mounting</b> e.g. for CONSTANT OPEN or CONSTANT CLOSE, with cylinder and 3 keys		
	608 006 001	<b>Additional keyboard for code switch</b> with stainless steel keypad, vandalism protected		
	608 007 000	<b>Magnetic key reader, flush mounting</b> with 2 keys		
	608 002 000	<b>Card reader ZUKO ID ZK/A</b> contactless card reader with integrated antenna, for 199 transponder-cards		
	608 002 006	<b>RFI reader 80</b> IP 65, decoder RFI 1000 required		

 Further accessories can be found in our price list.

# MS 1200 installation service, optional

## Have ELKA items installed:

Please specify item and position:

Item: \_\_\_\_\_, spacing from the top edge: \_\_\_\_\_, spacing from left: \_\_\_\_\_

Item: \_\_\_\_\_, spacing from the top edge: \_\_\_\_\_, spacing from left: \_\_\_\_\_

## Have provided item installed (without wiring)::

Item: \_\_\_\_\_, spacing from the top edge: \_\_\_\_\_, spacing from left: \_\_\_\_\_

Item: \_\_\_\_\_, spacing from the top edge: \_\_\_\_\_, spacing from left: \_\_\_\_\_

## Have a cutout made:

Dimension of cutout 1: \_\_\_\_\_ (width x height or diameter in mm),

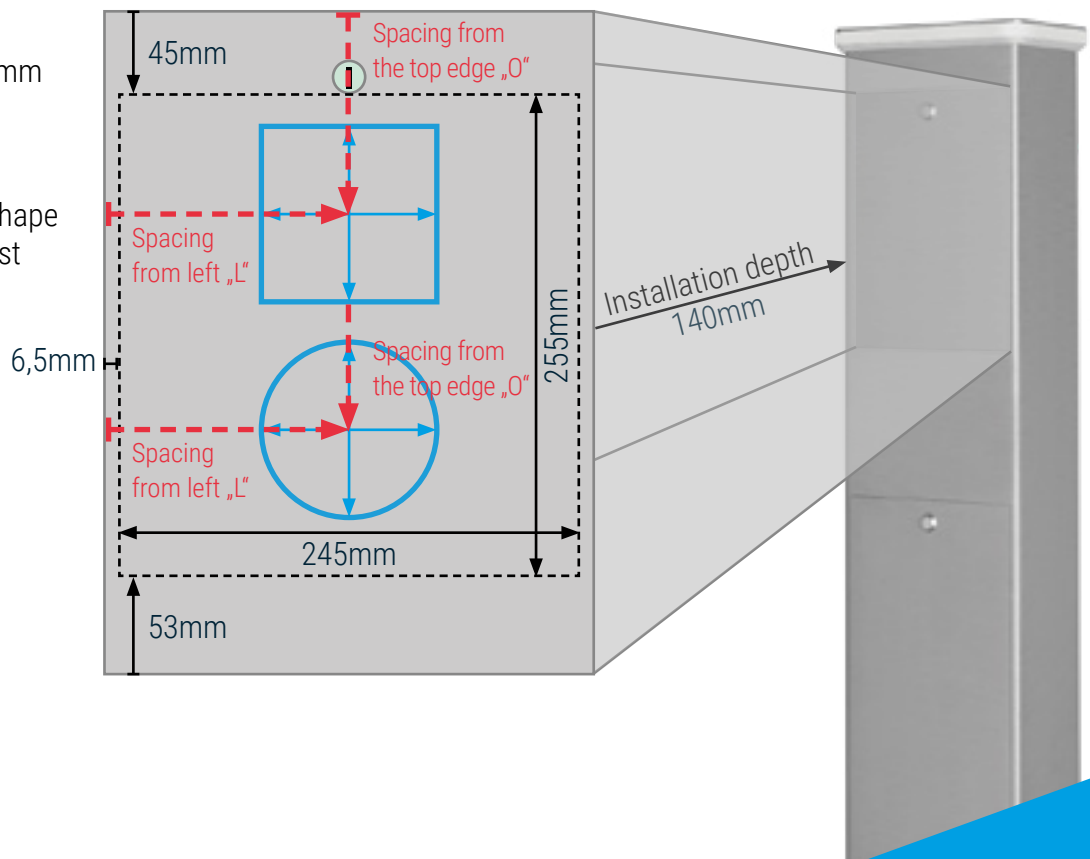
spacing from the top edge: \_\_\_\_\_, spacing from left: \_\_\_\_\_

Dimension of cutout 2: \_\_\_\_\_ (width x height or diameter in mm),

spacing from the top edge: \_\_\_\_\_, spacing from left: \_\_\_\_\_

### Note:

- Installation depth 140mm
- Distance between the cutouts min. 10mm
- Cut-out with custom shape (e.g. logo) upon request



## Door lock MS 1200



Standard lock



Swiveling lever lock

### Select a door lock:

- Standard lock
- Swiveling lever lock, optional

## LED lighting MS 1200, optional

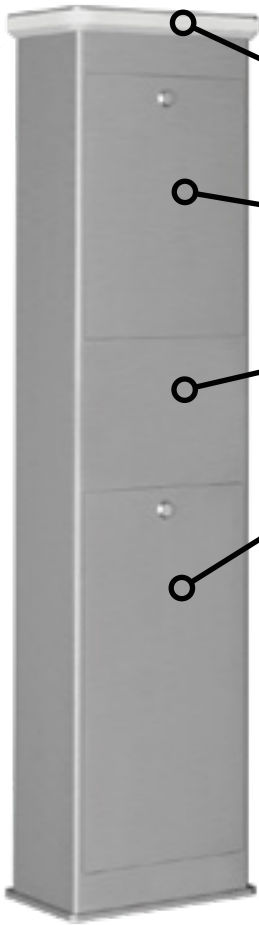
- LED light element

### Note:

In addition to the color warm white, the LED lighting can also display the colors red, green, blue and cold white. The connection is made by connecting the respective strands of the LED strip to the power supply unit.



## Custom color MS 1200, optional



### Custom color for housing MS 1200 (optional):

- Cover in RAL \_\_\_\_\_
- Front panel in RAL \_\_\_\_\_
- Housing in RAL \_\_\_\_\_
- Plug-in door in RAL \_\_\_\_\_
- Complete housing (cover, housing, plug-in door, front panel) in RAL \_\_\_\_\_

### Standard colors:

Press-finished without color as standard.



### Note:

Special colors are applied as wet paint.

## MS 1800 installation service, optional

Please indicate the amount and the position per item:

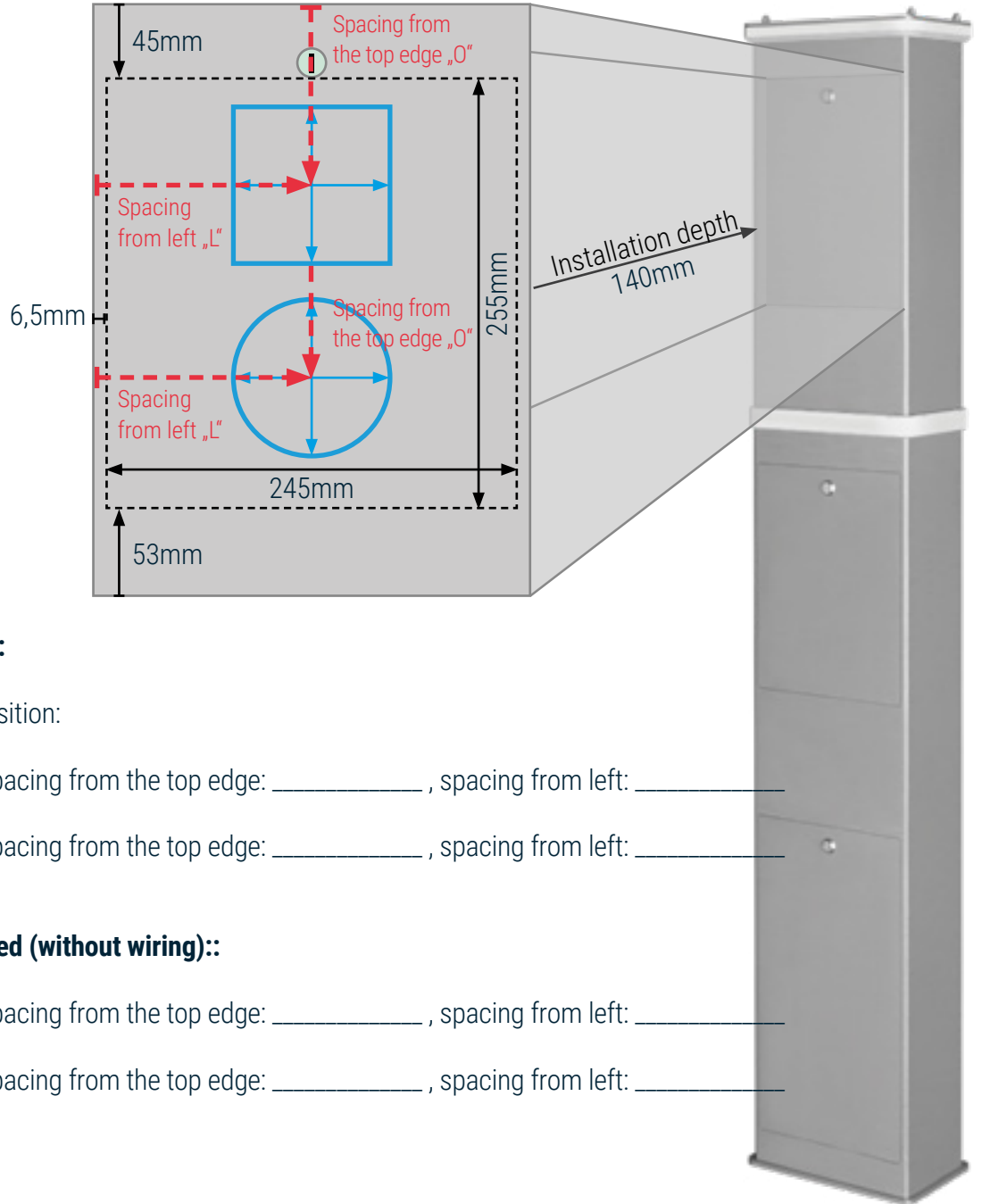
	Item no.	Type	Amount	Spacing from left / spacing from the top edge
	608 000 002	<b>Key switch STUP, flush mounting</b> with cylinder and 3 keys		
	608 000 006	<b>Key switch, STAZ, OPEN-CLOSE, flush mounting</b> with cylinder and 3 keys		
	608 000 015	<b>Key switch, STR, one-side lockable, flush mounting</b> e.g. for CONSTANT OPEN, with cylinder and 3 keys		
	608 000 012	<b>Key switch, STTR, impulse and lockable, flush mounting</b> e.g. for CONSTANT OPEN or CONSTANT CLOSE, with cylinder and 3 keys		
	608 006 001	<b>Additional keyboard for code switch</b> with stainless steel keypad, vandalism protected		
	608 007 000	<b>Magnetic key reader, flush mounting</b> with 2 keys		
	608 002 000	<b>Card reader ZUKO ID ZK/A</b> contactless card reader with integrated antenna, for 199 transponder-cards		
	608 002 006	<b>RFI reader 80</b> IP 65, decoder RFI 1000 required		

 Further accessories can be found in our price list.

# MS 1800 installation service, optional

**Note:**

- Installation depth 140mm
- Distance between the cutouts min. 10mm
- Cut-out with custom shape (e.g. logo) upon request



**Have ELKA items installed:**

Please specify item and position:

Item: \_\_\_\_\_, spacing from the top edge: \_\_\_\_\_, spacing from left: \_\_\_\_\_

Item: \_\_\_\_\_, spacing from the top edge: \_\_\_\_\_, spacing from left: \_\_\_\_\_

**Have provided item installed (without wiring)::**

Item: \_\_\_\_\_, spacing from the top edge: \_\_\_\_\_, spacing from left: \_\_\_\_\_

Item: \_\_\_\_\_, spacing from the top edge: \_\_\_\_\_, spacing from left: \_\_\_\_\_

**Have a cutout made:**

Dimension of cutout 1: \_\_\_\_\_ (width x height or diameter in mm),

spacing from the top edge: \_\_\_\_\_, spacing from left: \_\_\_\_\_

Dimension of cutout 2: \_\_\_\_\_ (width x height or diameter in mm),

spacing from the top edge: \_\_\_\_\_, spacing from left: \_\_\_\_\_

## Door lock MS 1800



Standard lock



Swiveling lever lock

### Select a door lock:

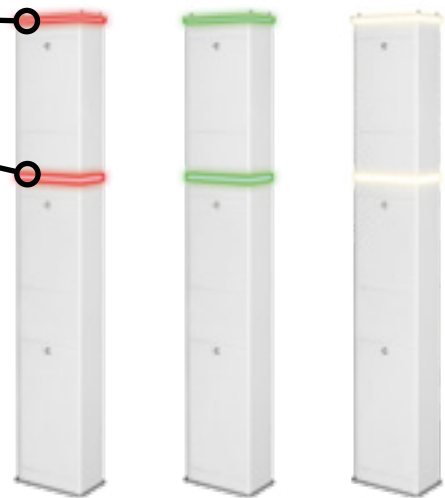
- Standard lock
- Swiveling lever lock, optional

## LED lighting MS 1800, optional

- LED light element
- LED lighting intermediate element

### Note:

In addition to the color warm white, the LED lighting can also display the colors red, green, blue and cold white. The connection is made by connecting the respective strands of the LED strip to the power supply unit.



## Custom color MS 1800, optional



### Custom color for housing MS 1800 top (optional):

- Cover in RAL \_\_\_\_\_
- Front panel in RAL \_\_\_\_\_
- Housing in RAL \_\_\_\_\_
- Complete housing  
(cover, housing, front panel) in RAL \_\_\_\_\_

### Custom color for housing MS 1800 bottom (optional):

- Front panel in RAL \_\_\_\_\_
- Housing in RAL \_\_\_\_\_
- Plug-in door in RAL \_\_\_\_\_
- Complete housing  
(housing, plug-in door, front panel) in RAL \_\_\_\_\_

### Standard colors:

Press-finished without color as standard.



### Note:

Special colors are applied as wet paint.

## Installation service MS 2400 top, optional

Please indicate the amount and the position per item:

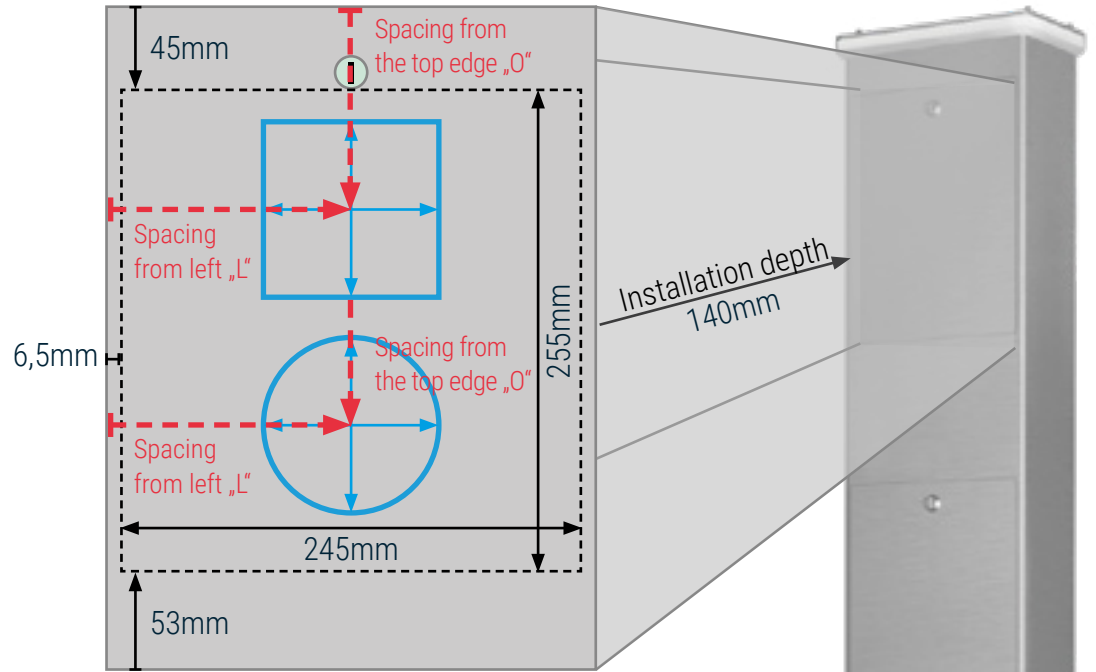
	Item no.	Type	Amount	Spacing from left / spacing from the top edge
	608 000 002	<b>Key switch STUP, flush mounting</b> with cylinder and 3 keys		
	608 000 006	<b>Key switch, STAZ, OPEN-CLOSE, flush mounting</b> with cylinder and 3 keys		
	608 000 015	<b>Key switch, STR, one-side lockable, flush mounting</b> e.g. for CONSTANT OPEN, with cylinder and 3 keys		
	608 000 012	<b>Key switch, STTR, impulse and lockable, flush mounting</b> e.g. for CONSTANT OPEN or CONSTANT CLOSE, with cylinder and 3 keys		
	608 006 001	<b>Additional keyboard for code switch</b> with stainless steel keypad, vandalism protected		
	608 007 000	<b>Magnetic key reader, flush mounting</b> with 2 keys		
	608 002 000	<b>Card reader ZUKO ID ZK/A</b> contactless card reader with integrated antenna, for 199 transponder-cards		
	608 002 006	<b>RFI reader 80</b> IP 65, decoder RFI 1000 required		

 Further accessories can be found in our price list.

# Installation service MS 2400 top, optional

**Note:**

- Installation depth 140mm
- Distance between the cutouts min. 10mm
- Cut-out with custom shape (e.g. logo) upon request



**Have ELKA items installed:**

Please specify item and position:

Item: \_\_\_\_\_, spacing from the top edge: \_\_\_\_\_, spacing from left: \_\_\_\_\_

Item: \_\_\_\_\_, spacing from the top edge: \_\_\_\_\_, spacing from left: \_\_\_\_\_

**Have provided item installed (without wiring)::**

Item: \_\_\_\_\_, spacing from the top edge: \_\_\_\_\_, spacing from left: \_\_\_\_\_

Item: \_\_\_\_\_, spacing from the top edge: \_\_\_\_\_, spacing from left: \_\_\_\_\_

**Have a cutout made:**

Dimension of cutout 1: \_\_\_\_\_ (width x height or diameter in mm),

spacing from the top edge: \_\_\_\_\_, spacing from left: \_\_\_\_\_

Dimension of cutout 2: \_\_\_\_\_ (width x height or diameter in mm),

spacing from the top edge: \_\_\_\_\_, spacing from left: \_\_\_\_\_

## Installation service MS 2400 bottom, optional

Please indicate the amount and the position per item:

	Item no.	Type	Amount	Spacing from left / spacing from the top edge
	608 000 002	<b>Key switch STUP, flush mounting</b> with cylinder and 3 keys		
	608 000 006	<b>Key switch, STAZ, OPEN-CLOSE, flush mounting</b> with cylinder and 3 keys		
	608 000 015	<b>Key switch, STR, one-side lockable, flush mounting</b> e.g. for CONSTANT OPEN, with cylinder and 3 keys		
	608 000 012	<b>Key switch, STTR, impulse and lockable, flush mounting</b> e.g. for CONSTANT OPEN or CONSTANT CLOSE, with cylinder and 3 keys		
	608 006 001	<b>Additional keyboard for code switch</b> with stainless steel keypad, vandalism protected		
	608 007 000	<b>Magnetic key reader, flush mounting</b> with 2 keys		
	608 002 000	<b>Card reader ZUKO ID ZK/A</b> contactless card reader with integrated antenna, for 199 transponder-cards		
	608 002 006	<b>RFI reader 80</b> IP 65, decoder RFI 1000 required		

 Further accessories can be found in our price list.

# Installation service MS 2400 bottom, optional

**Have ELKA items installed:**

Please specify article and position:

Item: \_\_\_\_\_, spacing from the top edge: \_\_\_\_\_, spacing from left: \_\_\_\_\_

Item: \_\_\_\_\_, spacing from the top edge: \_\_\_\_\_, spacing from left: \_\_\_\_\_

**Have provided item installed (without wiring)::**

Item: \_\_\_\_\_, spacing from the top edge: \_\_\_\_\_, spacing from left: \_\_\_\_\_

Item: \_\_\_\_\_, spacing from the top edge: \_\_\_\_\_, spacing from left: \_\_\_\_\_

**Have a cutout made:**

Dimension of cutout 1: \_\_\_\_\_ (width x height or diameter in mm),

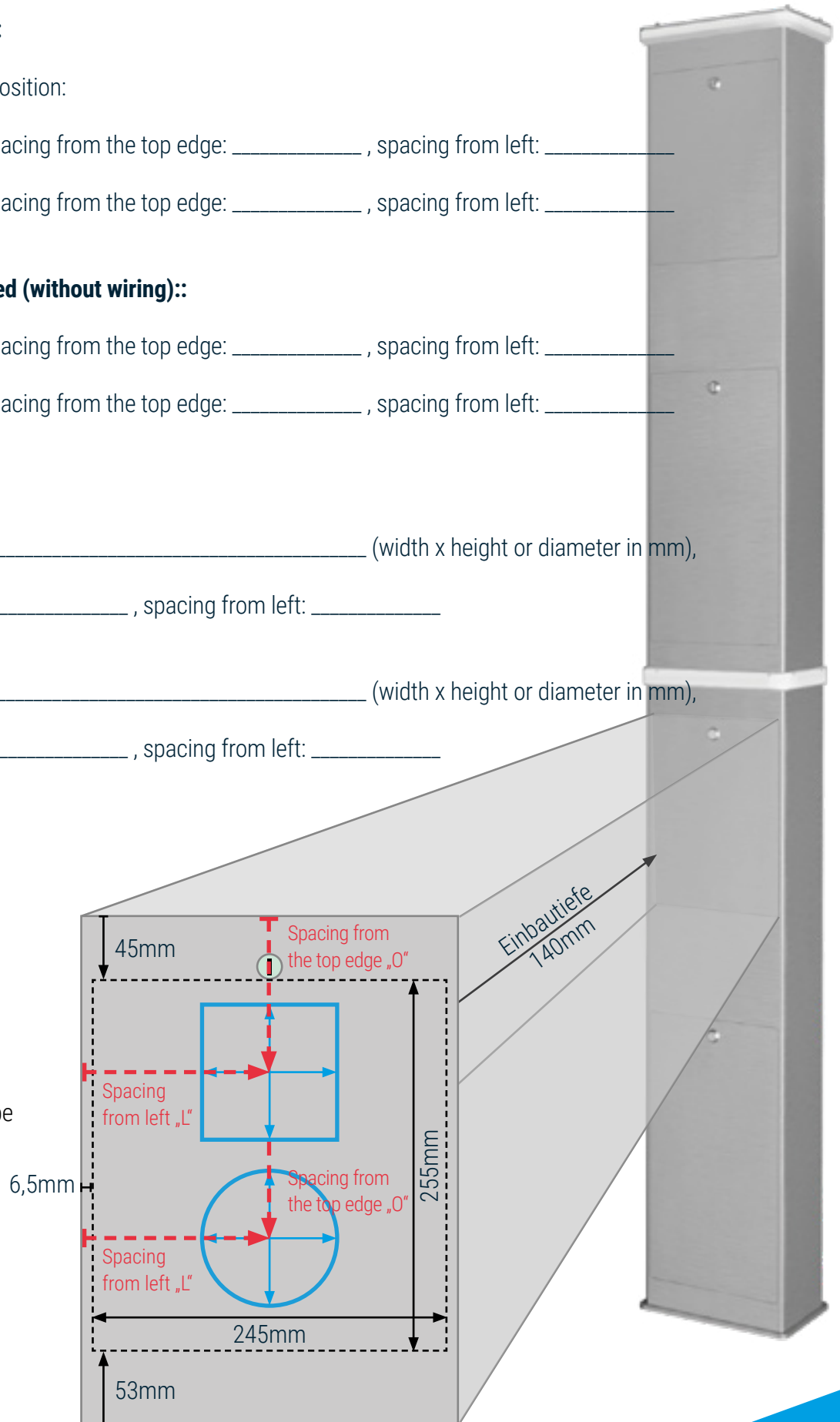
spacing from the top edge: \_\_\_\_\_, spacing from left: \_\_\_\_\_

Dimension of cutout 2: \_\_\_\_\_ (width x height or diameter in mm),

spacing from the top edge: \_\_\_\_\_, spacing from left: \_\_\_\_\_

**Note:**

- Installation depth 140mm
- Distance between the cutouts min. 10mm
- Cut-out with custom shape (e.g. logo) upon request



## Door lock MS 1800



Standard lock



Swiveling lever lock

### Select a door lock for the top plug-in door:

- Standard lock
- Swiveling lever lock, optional

### Select a door lock for the bottom plug-in door:

- Standard lock
- Swiveling lever lock, optional



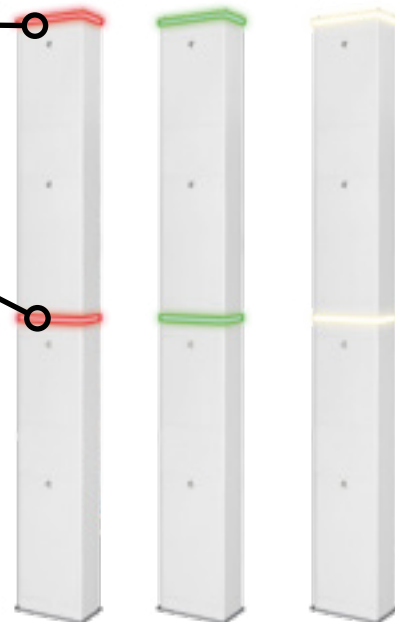
## MS 2400 LED lighting, optional

LED light element

LED lighting intermediate element

### Note:

In addition to the color warm white, the LED lighting can also display the colors red, green, blue and cold white. The connection is made by connecting the respective strands of the LED strip to the power supply unit.



## Custom color MS 2400, optional



### Custom color for housing MS 2400 top (optional):

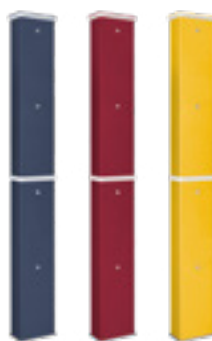
- Cover in RAL \_\_\_\_\_
- Front panel in RAL \_\_\_\_\_
- Housing in RAL \_\_\_\_\_
- Plug-in door in RAL \_\_\_\_\_
- Complete housing  
(cover, housing, front panel, plug-in door) in RAL \_\_\_\_\_

### Custom color for housing MS 2400 bottom (optional):

- Front panel in RAL \_\_\_\_\_
- Housing in RAL \_\_\_\_\_
- Plug-in door in RAL \_\_\_\_\_
- Complete housing  
(front panel, housing, plug-in door) in RAL \_\_\_\_\_

### Standard colors:

Press-finished without color as standard.



### Note:

Special colors are applied as wet paint.

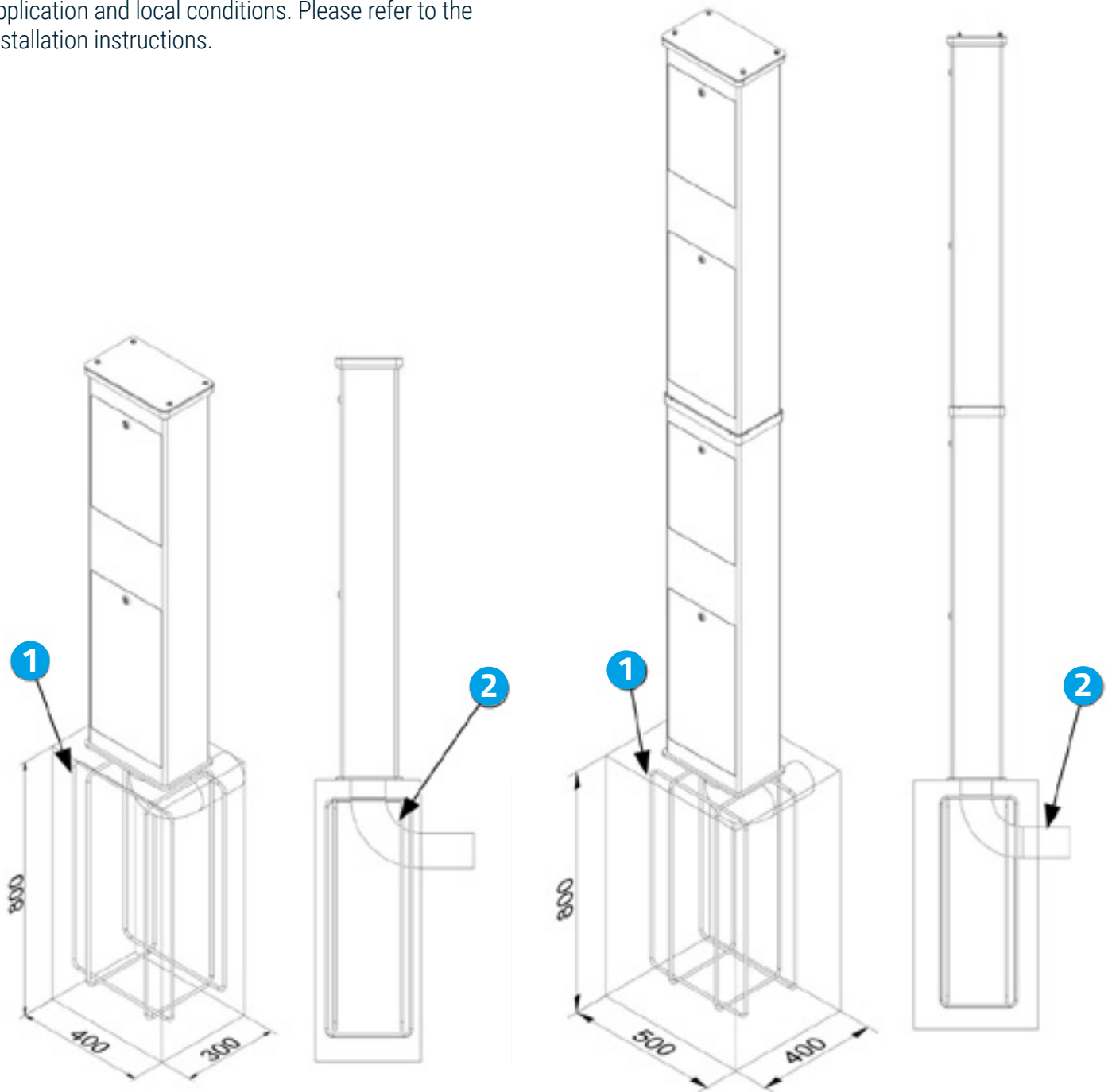




## Foundation dimensions

### Note:

The illustration shows the minimum foundation dimensions, which must be adapted according to the application and local conditions. Please refer to the installation instructions.



- ① Reinforcement
- ② Empty conduit

All dimensions in mm.

## Your contact information

**Customer number:**

---

**Company:**

---

---

**Address:**

Street: \_\_\_\_\_

Postcode/City: \_\_\_\_\_

Country: \_\_\_\_\_

**Contact person:**

Name: \_\_\_\_\_

Phone: \_\_\_\_\_

E-Mail: \_\_\_\_\_



**ELKA-Torantriebe GmbH u. Co. Betriebs KG**  
**Dithmarscher Str. 9, 25832 Tönning / Germany**

✉ [info@elka.eu](mailto:info@elka.eu)

☎ **+49(0)4861-9690-0**

🌐 [www.elka.eu](http://www.elka.eu)

📠 **+49(0)4861-9690-90**